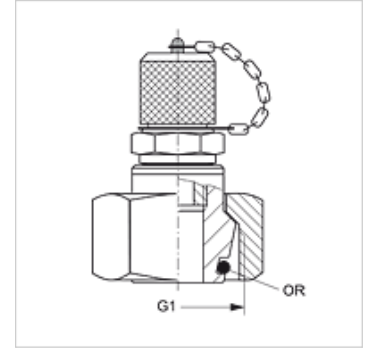


HFM KL / HFM KS

Measuring connection, M16 x 2 series

Properties

Connection 1	metric nut thread
Sealing form 1	24° outer cone with O-ring
Connection 2	Measuring connection M 16 x 2
Design	Measuring connection with 24° sealing head (DKO)
Standard	ISO 8434-1
Series	light and heavy
Scope of supply	with cap
Temp. min.	-20 °C
Temp. max.	100 °C
Material	Steel
Surface	electro galvanised



Note

Information about fitting, installation, pressure loads and permissible operating temperatures can be found in the technical information for pipe fittings.

Item

Identification	Series	External pipe Ø (mm)	G1	Max. working pressure (bar)	OR
HFM KL 06	L	6	M 12 x 1.5	315	4.0 x 1.5
HFM KL 08	L	8	M 14 x 1.5	315	6.0 x 1.5
HFM KL 10	L	10	M 16 x 1.5	315	7.5 x 1.5
HFM KL 12	L	12	M 18 x 1.5	315	9.0 x 1.5
HFM KL 15	L	15	M 22 x 1.5	315	12.0 x 2.0
HFM KL 18	L	18	M 26 x 1.5	315	15.0 x 2.0
HFM KL 22	L	22	M 30 x 2	160	16.3 x 2.4
HFM KL 28	L	28	M 36 x 2	160	26.0 x 2.0
HFM KL 35	L	35	M 45 x 2	160	32.0 x 2.5
HFM KL 42	L	42	M 52 x 2	160	38.0 x 2.5
HFM KS 06	S	6	M 14 x 1.5	630	6.0 x 1.5
HFM KS 08	S	8	M 16 x 1.5	630	7.5 x 1.5
HFM KS 10	S	10	M 18 x 1.5	630	9.0 x 1.5
HFM KS 12	S	12	M 20 x 1.5	630	9.0 x 1.5
HFM KS 14	S	14	M 22 x 1.5	630	12.0 x 2.0
HFM KS 16	S	16	M 24 x 1.5	400	12.0 x 2.0
HFM KS 20	S	20	M 30 x 2	400	16.3 x 2.4
HFM KS 25	S	25	M 36 x 2	400	26.0 x 2.0
HFM KS 30	S	30	M 42 x 2	400	25.3 x 2.4
HFM KS 38	S	38	M 52 x 2	315	38.0 x 2.5

Series: LL = Very light L = Light S = Heavy

Product versions

HFM KL VA / HFM KS VA Measuring connection, M16 x 2 series, Stainless steel

Spare parts

HFM VK Cap