

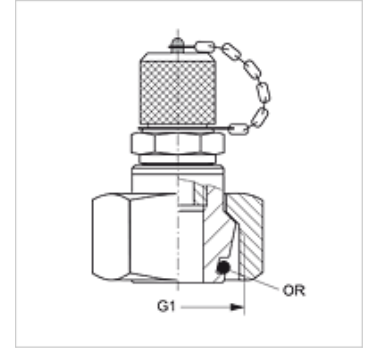
HFM KL VA / HFM KS VA

Measuring connection, M16 x 2 series

HANSA FLEX

Properties

Connection 1	metric nut thread
Sealing form 1	24° outer cone with O-ring
Connection 2	Measuring connection M 16 x 2
Design	Measuring connection with 24° sealing head (DKO)
Standard	DIN 3865
Series	light and heavy
Scope of supply	with cap
Temp. min.	-20 °C
Temp. max.	100 °C
Material	Stainless steel



Note

Information about fitting, installation, pressure loads and permissible operating temperatures can be found in the technical information for pipe fittings.

Item

Identification	Series	External pipe Ø (mm)	G1	Max. working pressure (bar)	OR
HFM KL 06 VA	L	6	M 12 x 1.5	315	4.0 x 1.5
HFM KL 08 VA	L	8	M 14 x 1.5	315	6.0 x 1.5
HFM KL 10 VA	L	10	M 16 x 1.5	315	7.5 x 1.5
HFM KL 12 VA	L	12	M 18 x 1.5	315	9.0 x 1.5
HFM KL 15 VA	L	15	M 22 x 1.5	315	12.0 x 2.0
HFM KL 18 VA	L	18	M 26 x 1.5	315	15.0 x 2.0
HFM KL 22 VA	L	22	M 30 x 2	160	16.3 x 2.4
HFM KL 28 VA	L	28	M 36 x 2	160	26.0 x 2.0
HFM KL 35 VA	L	35	M 45 x 2	160	32.0 x 2.5
HFM KL 42 VA	L	42	M 52 x 2	160	38.0 x 2.5
HFM KS 06 VA	S	6	M 14 x 1.5	630	6.0 x 1.5
HFM KS 08 VA	S	8	M 16 x 1.5	630	7.5 x 1.5
HFM KS 10 VA	S	10	M 18 x 1.5	630	9.0 x 1.5
HFM KS 12 VA	S	12	M 20 x 1.5	630	9.0 x 1.5
HFM KS 14 VA	S	14	M 22 x 1.5	630	12.0 x 2.0
HFM KS 16 VA	S	16	M 24 x 1.5	400	12.0 x 2.0
HFM KS 20 VA	S	20	M 30 x 2	400	16.3 x 2.4
HFM KS 25 VA	S	25	M 36 x 2	400	26.0 x 2.0
HFM KS 30 VA	S	30	M 42 x 2	400	25.3 x 2.4
HFM KS 38 VA	S	38	M 52 x 2	315	38.0 x 2.5

Series: LL = Very light L = Light S = Heavy

Product versions

HFM KL / HFM KS Measuring connection, M16 x 2 series, Steel