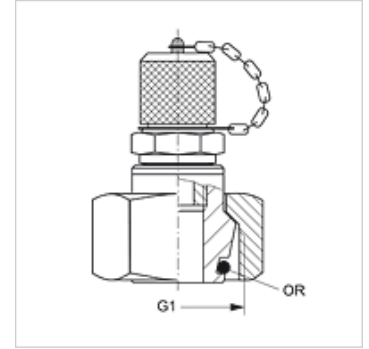


# HFM KL 16 / HFM KS 16

Measuring connection, M16 x 1.5 series

## Properties

<b>Connection 1</b>	metric nut thread
<b>Sealing form 1</b>	24° outer cone with O-ring
<b>Connection 2</b>	Measuring connection M 16 x 1.5
<b>Design</b>	Measuring connection with 24° sealing head (DKO)
<b>Series</b>	light and heavy
<b>Standard</b>	ISO 8434-1
<b>Scope of supply</b>	with cap
<b>Temp. min.</b>	-20 °C
<b>Temp. max.</b>	100 °C
<b>Material</b>	Steel
<b>Surface</b>	electro galvanised



## Note

Information about fitting, installation, pressure loads and permissible operating temperatures can be found in the technical information for pipe fittings.

## Item

Identification	Series	External pipe Ø (mm)	G1	Max. working pressure (bar)	OR
HFM KL 06-16	L	6	M 12 x 1.5	315	4.0 x 1.5
HFM KL 08-16	L	8	M 14 x 1.5	315	6.0 x 1.5
HFM KL 10-16	L	10	M 16 x 1.5	315	7.5 x 1.5
HFM KL 12-16	L	12	M 18 x 1.5	315	9.0 x 1.5
HFM KL 15-16	L	15	M 22 x 1.5	315	12.0 x 2.0
HFM KL 18-16	L	18	M 26 x 1.5	315	15.0 x 2.0
HFM KL 22-16	L	22	M 30 x 2	160	16.3 x 2.4
HFM KL 28-16	L	28	M 36 x 2	160	26.0 x 2.0
HFM KL 35-16	L	35	M 45 x 2	160	32.0 x 2.5
HFM KL 42-16	L	42	M 52 x 2	160	38.0 x 2.5
HFM KS 06-16	S	6	M 14 x 1.5	630	6.0 x 1.5
HFM KS 08-16	S	8	M 16 x 1.5	630	7.5 x 1.5
HFM KS 10-16	S	10	M 18 x 1.5	630	9.0 x 1.5
HFM KS 12-16	S	12	M 20 x 1.5	630	9.0 x 1.5
HFM KS 14-16	S	14	M 22 x 1.5	630	12.0 x 2.0
HFM KS 16-16	S	16	M 24 x 1.5	630	12.0 x 2.0
HFM KS 20-16	S	20	M 30 x 2	400	16.3 x 2.4
HFM KS 25-16	S	25	M 36 x 2	400	26.0 x 2.0
HFM KS 30-16	S	30	M 42 x 2	400	25.3 x 2.4
HFM KS 38-16	S	38	M 52 x 2	315	38.0 x 2.5

Series: LL = Very light L = Light S = Heavy

## Spare parts

HFM VK Cap