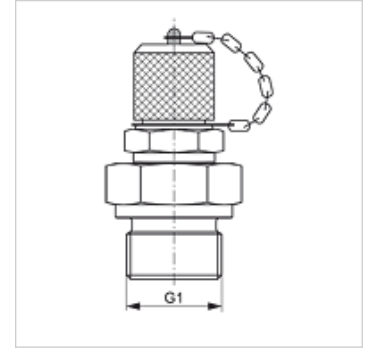


HFM MK

Measuring connection, M16 x 2 series

Properties

Connection 1	metric cylindrical outer thread
Sealing form 1	Shape B
Connection 2	Measuring connection M 16 x 2
Design	Screw-in socket with measurement connection
Scope of supply	with cap
Temp. min.	-20 °C
Temp. max.	100 °C
Material	Steel
Surface	electro galvanised



Item

Identification	G1	Max. working pressure (bar)
HFM MK 08-1	M 8 x 1	400
HFM MK 10-1	M 10 x 1	630
HFM MK 12-1.5	M 12 x 1.5	630
HFM MK 14-1.5	M 14 x 1.5	630
HFM MK 16-1.5	M 16 x 1.5	630
HFM MK 18-1.5	M 18 x 1.5	400
HFM MK 20-1.5	M 20 x 1.5	400
HFM MK 22-1.5	M 22 x 1.5	400
HFM MK 26-1.5	M 26 x 1.5	400
HFM MK 27-2	M 27 x 2	400
HFM MK 33-2	M 33 x 2	400
HFM MK 42-2	M 42 x 2	250
HFM MK 48-2	M 48 x 2	250

Spare parts

HFM VK Cap