

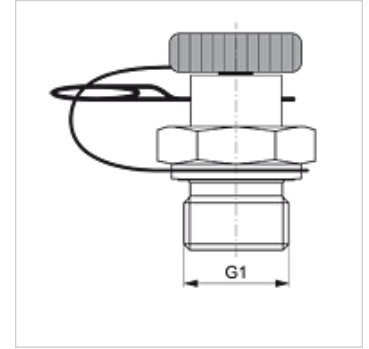
HFM MK S

Measuring connection, plug-in series

HANSA FLEX

Properties

Connection 1	metric cylindrical outer thread
Sealing form 1	Shape B
Connection 2	Plug connection for measuring technology
Design	Screw-in socket with measurement connection
Scope of supply	with locking connector and retaining pin
Temp. min.	-20 °C
Temp. max.	100 °C
Material	Steel
Surface	electro galvanised



Item

Identification	G1	Max. working pressure (bar)
HFM MK 08-1 S	M 8 x 1	400
HFM MK 10-1 S	M 10 x 1	400
HFM MK 12-1.5 S	M 12 x 1.5	400
HFM MK 14-1.5 S	M 14 x 1.5	400
HFM MK 18-1.5 S	M 18 x 1.5	400
HFM MK 20-1.5 S	M 20 x 1.5	400
HFM MK 22-1.5 S	M 22 x 1.5	400
HFM MK 26-1.5 S	M 26 x 1.5	400
HFM MK 27-2 S	M 27 x 2	400
HFM MK 33-2 S	M 33 x 2	400
HFM MK 42-2 S	M 42 x 2	250
HFM MK 48-2 S	M 48 x 2	250

Spare parts

HFM ST	Locking connector for plug-in coupling DN 2
---------------	---