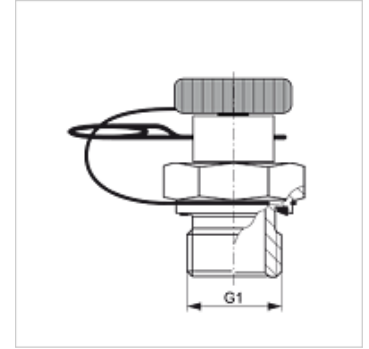


HFM MK S ED

Measuring connection, plug-in series

Properties

Connection 1	metric cylindrical outer thread
Sealing form 1	Shape E
Connection 2	Plug connection for measuring technology
Design	Screw-in socket with measurement connection
Scope of supply	with locking connector and retaining pin
Temp. min.	-20 °C
Temp. max.	100 °C
Material	Steel
Surface	electro galvanised



Item

Identification	G1	Max. working pressure (bar)
HFM MK 12-1.5 S ED	M 12 x 1.5	400
HFM MK 14-1.5 S ED	M 14 x 1.5	400
HFM MK 16-1.5 S ED	M 16 x 1.5	400
HFM MK 18-1.5 S ED	M 18 x 1.5	400

Spare parts

HFM ST	Locking connector for plug-in coupling DN 2
--------	---