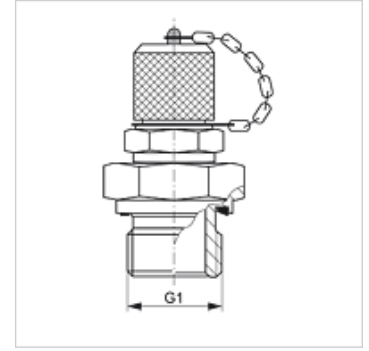


HFM MK 16 ED

Measuring connection, M16 x 1.5 series

Properties

Connection 1	metric cylindrical outer thread
Sealing form 1	Shape E
Connection 2	Measuring connection M 16 x 1.5
Design	Screw-in socket with measurement connection
Scope of supply	with cap
Temp. min.	-25 °C
Temp. max.	100 °C
Material	Steel
Surface	electro galvanised



Item

Identification	G1	Max. working pressure (bar)
HFM MK 12-1.5-16 ED	M 12 x 1.5	630
HFM MK 18-1.5-16 ED	M 18 x 1.5	630
HFM MK 20-1.5-16 ED	M 20 x 1.5	630

Spare parts

HFM VK Cap