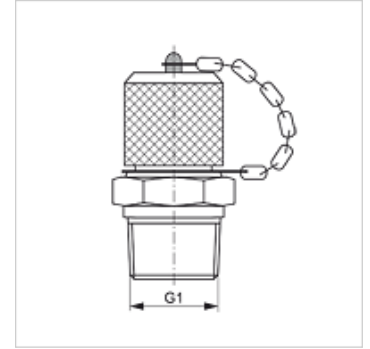


HFM MKN

Measuring connection, M16 x 2 series

Properties

Connection 1	NPT external threads
Sealing form 1	thread seal
Connection 2	Measuring connection M 16 x 2
Design	Screw-in socket with measurement connection
Scope of supply	with cap
Temp. min.	-20 °C
Temp. max.	100 °C
Material	Steel
Surface	electro galvanised



Item

Identification	G1	Max. working pressure (bar)
HFM MKN 1/8	1/8" -27 NPT	400
HFM MKN 1/4	1/4" -18 NPT	630
HFM MKN 3/8	3/8" -18 NPT	400

Product versions

HFM MKN VA Measuring connection, M16 x 2 series, Stainless steel

Spare parts

HFM VK Cap