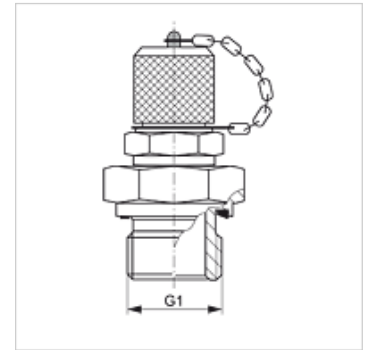


HFM MKR ED VA

Measuring connection, M16 x 2 series

Properties

Connection 1	BSP external thread, cylindrical
Sealing form 1	Shape E
Connection 2	Measuring connection M 16 x 2
Design	Screw-in socket with measurement connection
Scope of supply	with cap
Temp. min.	-20 °C
Temp. max.	100 °C
Material	Stainless steel



Item

Identification	G1	Max. working pressure (bar)
HFM MKR 1/8 ED VA	G 1/8" -28	630
HFM MKR 1/4 ED VA	G 1/4" -19	630
HFM MKR 3/8 ED VA	G 3/8" -19	630
HFM MKR 1/2 ED VA	G 1/2" -14	630

Product versions

HFM MKR ED	Measuring connection, M16 x 2 series, Steel
-------------------	---