

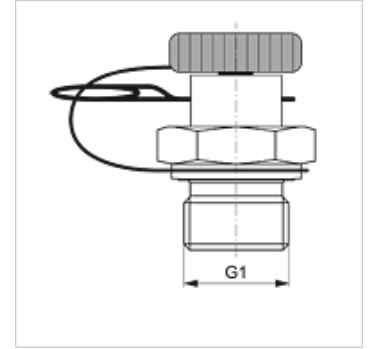
HFM MKR S

Measuring connection, plug-in series

HANSA FLEX

Properties

Connection 1	BSP external thread, cylindrical
Sealing form 1	Shape B
Connection 2	Plug connection for measuring technology
Design	Screw-in socket with measurement connection
Scope of supply	with locking connector and retaining pin
Temp. min.	-20 °C
Temp. max.	100 °C
Material	Steel
Surface	electro galvanised



Item

Identification	G1	Max. working pressure (bar)
HFM MKR 1/8 S	G 1/8" -28	400
HFM MKR 1/4 S	G 1/4" -19	400
HFM MKR 3/8 S	G 3/8" -19	400
HFM MKR 1/2 S	G 1/2" -14	400
HFM MKR 3/4 S	G 3/4" -14	400
HFM MKR 1 S	G 1" -11	400
HFM MKR 1 1/4 S	G 1.1/4" -11	400
HFM MKR 1 1/2 S	G 1.1/2" -11	400

Spare parts

HFM ST Locking connector for plug-in coupling DN 2