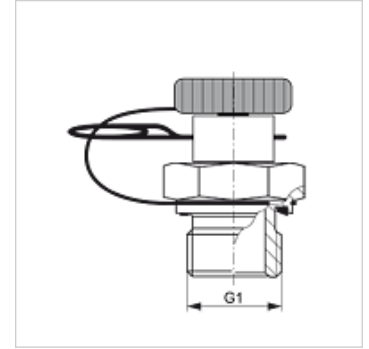


HFM MKR S ED

Measuring connection, plug-in series

Properties

Connection 1	BSP external thread, cylindrical
Sealing form 1	Shape E
Connection 2	Plug connection for measuring technology
Design	Screw-in socket with measurement connection
Scope of supply	with locking connector and retaining pin
Temp. min.	-25 °C
Temp. max.	100 °C
Material	Steel
Surface	electro galvanised



Item

Identification	G1	Max. working pressure (bar)
HFM MKR 3/8 S ED	G 3/8" -19	400

Spare parts

HFM ST	Locking connector for plug-in coupling DN 2
--------	---