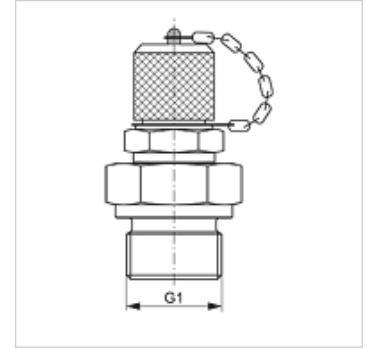


HFM MKR 12

Measuring connection, S12.65 x 1.5 series

Properties

Connection 1	BSP external thread, cylindrical
Sealing form 1	Shape B
Connection 2	Measuring connection S 12.65 x 1.5
Design	Screw-in socket with measurement connection
Scope of supply	with cap
Temp. min.	-25 °C
Temp. max.	100 °C
Material	Steel
Surface	electro galvanised



Item

Identification	G1	Max. working pressure (bar)
HFM MKR 1/8-12	G 1/8" -28	400
HFM MKR 1/4-12	G 1/4" -19	630

Spare parts

HFM VK Cap