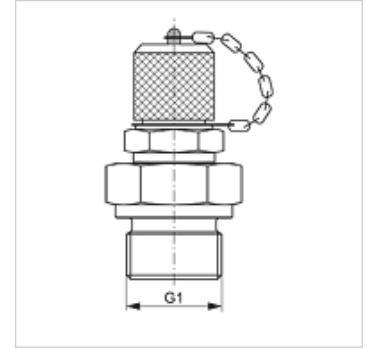


HFM MKR 16

Measuring connection, M16 x 1.5 series

Properties

Connection 1	BSP external thread, cylindrical
Sealing form 1	Shape B
Connection 2	Measuring connection M 16 x 1.5
Design	Screw-in socket with measurement connection
Scope of supply	with cap
Temp. min.	-20 °C
Temp. max.	100 °C
Material	Steel
Surface	electro galvanised



Item

Identification	G1	Max. working pressure (bar)
HFM MKR 1/4-16	G 1/4" -19	630
HFM MKR 3/8-16	G 3/8" -19	630
HFM MKR 1/2-16	G 1/2" -14	630

Spare parts

HFM VK Cap