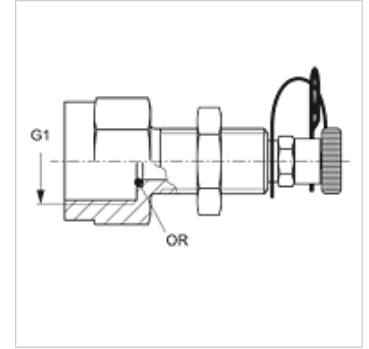


HFM MMA S VA

Pressure gauge connection

Properties

Connection 1	BSP cylindrical internal threads
Sealing form 1	O-ring seal
Connection 2	Plug connection for measuring technology
Design	Screw-on socket with measuring connector
Construction type	for bulkhead mounting
Scope of supply	with lock nut and O-ring
Temp. min.	-20 °C
Temp. max.	100 °C
Material	Stainless steel



Item

Identification	G1	Max. working pressure (bar)	OR
HFM MMA 1/4 S VA	G 1/4" -19	400	5.0 x 1.5
HFM MMA 1/2 S VA	G 1/2" -14	400	9.0 x 1.8

Product versions

HFM MMA S	Pressure gauge connection, Steel
-----------	----------------------------------