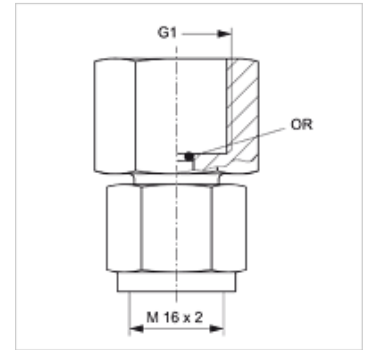


# HFM MMD

Measuring connection, M16 x 2 series

## Properties

<b>Connection 1</b>	BSP cylindrical internal threads
<b>Sealing form 1</b>	O-ring seal
<b>Connection 2</b>	Metric nut thread M 16 x 2
<b>Design</b>	Direct pressure gauge connection
<b>Scope of supply</b>	with O-ring
<b>Temp. min.</b>	-20 °C
<b>Temp. max.</b>	100 °C
<b>Material</b>	Steel
<b>Surface</b>	electro galvanised



## Item

Identification	G1	Max. working pressure (bar)	OR
HFM MMD 1/4	G 1/4" -19	630	5.0 x 1.5
HFM MMD 1/2	G 1/2" -14	630	9.0 x 1.8

## Product versions

HFM MMD VA Measuring connection, M16 x 2 series, Stainless steel