

HFM T AJ HJ

Measuring connection, M16 x 2 series

HANSA FLEX

Properties

Connection 1 Measuring connection M 16 x 2

Connection 2 UN/UNF nut threads

Sealing form 2 74° inner cone

Connection 3 UN/UNF external threads

Sealing form 3 74° outer cone

Design Adapter for test connection

Construction T shaped

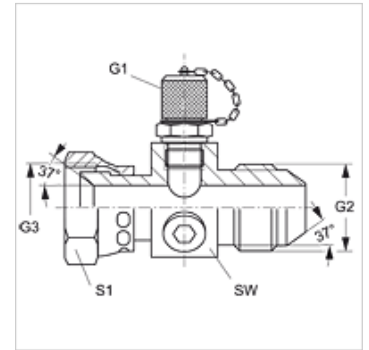
Scope of supply with cap

Temp. min. -20 °C

Temp. max. 100 °C

Material Steel

Surface electro galvanised



Item

Identification	G1	G2 + G3	Max. working pressure (bar)	AF (mm)	S1
HFM T AJ 05 HJ	M 16 x 2	1/2"-20 UNF	420	36	17
HFM T AJ 06 HJ	M 16 x 2	9/16"-18 UNF	350	36	19
HFM T AJ 08 HJ	M 16 x 2	3/4"-16 UNF	350	36	22
HFM T AJ 10 HJ	M 16 x 2	7/8"-14 UNF	350	36	27
HFM T AJ 12 HJ	M 16 x 2	1.1/16" -12 UN	350	41	32
HFM T AJ 16 HJ	M 16 x 2	1.5/16" -12 UN	250	46	38

Spare parts

HFM VK Cap