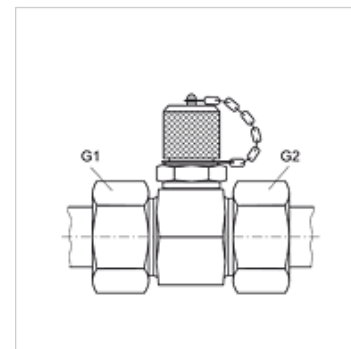


HFM T HL / HFM T HS

Measuring connection, M16 x 2 series

Properties

Connection 1 + 2	metric cylindrical outer thread
Sealing form 1 + 2	24° inner cone
Connection 3	Measuring connection M 16 x 2
Construction	T shaped
Standard	DIN 2353 ISO 8434-1
Scope of supply	with cap
Temp. min.	-20 °C
Temp. max.	100 °C
Material	Steel
Surface	electro galvanised



Note

Information about fitting, installation, pressure loads and permissible operating temperatures can be found in the technical information for pipe fittings.

Item

Identification	Series	External pipe Ø (mm)	G1 + G2	Max. working pressure (bar)
HFM T HL 04	L	6	M 12 x 1.5	315
HFM T HL 06	L	8	M 14 x 1.5	315
HFM T HL 08	L	10	M 16 x 1.5	315
HFM T HL 10	L	12	M 18 x 1.5	315
HFM T HL 13	L	15	M 22 x 1.5	315
HFM T HL 16	L	18	M 26 x 1.5	315
HFM T HL 20	L	22	M 30 x 2	160
HFM T HL 25	L	28	M 36 x 2	160
HFM T HL 32	L	35	M 45 x 2	160
HFM T HL 40	L	42	M 52 x 2	160
HFM T HS 03	S	6	M 14 x 1.5	630
HFM T HS 04	S	8	M 16 x 1.5	630
HFM T HS 06	S	10	M 18 x 1.5	630
HFM T HS 08	S	12	M 20 x 1.5	630
HFM T HS 10	S	14	M 22 x 1.5	630
HFM T HS 13	S	16	M 24 x 1.5	400
HFM T HS 16	S	20	M 30 x 2	400
HFM T HS 20	S	25	M 36 x 2	400
HFM T HS 25	S	30	M 42 x 2	400
HFM T HS 32	S	38	M 52 x 2	315

Series: LL = Very light L = Light S = Heavy

Product versions

HFM T HL VA / HFM T HS VA	Measuring connection, M16 x 2 series, Stainless steel
XHFM T HL / XHFM T HS	Measuring connection, M16 x 2 series, Steel

Spare parts

HFM VK	Cap
--------	-----