

HFM T HL VA / HFM T HS VA

Measuring connection, M16 x 2 series

HANSA FLEX

Properties

Connection 1 + 2 metric cylindrical outer thread

Sealing form 1 + 2 24° inner cone

Connection 3 Measuring connection M 16 x 2

Construction T shaped

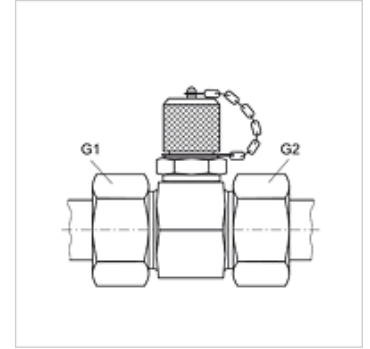
Standard DIN 2353
ISO 8434-1

Scope of supply with cap

Temp. min. -20 °C

Temp. max. 100 °C

Material Stainless steel



Note

Information about fitting, installation, pressure loads and permissible operating temperatures can be found in the technical information for pipe fittings.

Item

Identification	Series	External pipe Ø (mm)	G1 + G2	Max. working pressure (bar)
HFM T HL 04 VA	L	6	M 12 x 1.5	315
HFM T HL 06 VA	L	8	M 14 x 1.5	315
HFM T HL 08 VA	L	10	M 16 x 1.5	315
HFM T HL 10 VA	L	12	M 18 x 1.5	315
HFM T HL 13 VA	L	15	M 22 x 1.5	315
HFM T HL 16 VA	L	18	M 26 x 1.5	315
HFM T HL 20 VA	L	22	M 30 x 2	160
HFM T HL 25 VA	L	28	M 36 x 2	160
HFM T HL 32 VA	L	35	M 45 x 2	160
HFM T HL 40 VA	L	42	M 52 x 2	160
HFM T HS 03 VA	S	6	M 14 x 1.5	630
HFM T HS 04 VA	S	8	M 16 x 1.5	630
HFM T HS 06 VA	S	10	M 18 x 1.5	630
HFM T HS 08 VA	S	12	M 20 x 1.5	630
HFM T HS 10 VA	S	14	M 22 x 1.5	630
HFM T HS 13 VA	S	16	M 24 x 1.5	400
HFM T HS 16 VA	S	20	M 30 x 2	400
HFM T HS 20 VA	S	25	M 36 x 2	400
HFM T HS 25 VA	S	30	M 42 x 2	400
HFM T HS 32 VA	S	38	M 52 x 2	315

Series: LL = Very light L = Light S = Heavy

Product versions

HFM T HL / HFM T HS Measuring connection, M16 x 2 series, Steel

XHFM T HL VA / XHFM T HS VA Measuring connection, M16 x 2 series, Stainless steel