

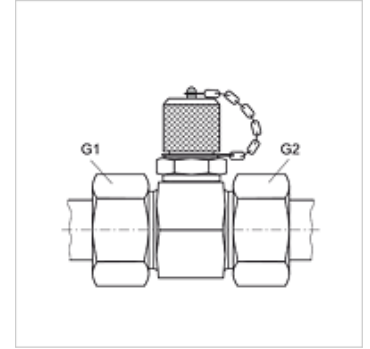
# HFM T HL 16 / HFM T HS 16

Measuring connection, M16 x 1.5 series

**HANSA FLEX**

## Properties

Connection 1 + 2	metric cylindrical outer thread
Sealing form 1 + 2	24° inner cone
Connection 3	Measuring connection M 16 x 1.5
Construction	T shaped
Standard	DIN 2353 ISO 8434-1
Scope of supply	with cap
Temp. min.	-20 °C
Temp. max.	100 °C
Material	Steel
Surface	electro galvanised



## Note

Information about fitting, installation, pressure loads and permissible operating temperatures can be found in the technical information for pipe fittings.

## Item

Identification	Series	External pipe Ø (mm)	G1 + G2	Max. working pressure (bar)
HFM T HL 04-16	L	6	M 12 x 1.5	315
HFM T HL 06-16	L	8	M 14 x 1.5	315
HFM T HL 08-16	L	10	M 16 x 1.5	315
HFM T HL 10-16	L	12	M 18 x 1.5	315
HFM T HL 13-16	L	15	M 22 x 1.5	315
HFM T HL 16-16	L	18	M 26 x 1.5	315
HFM T HL 20-16	L	22	M 30 x 2	160
HFM T HL 25-16	L	28	M 36 x 2	160
HFM T HL 32-16	L	35	M 45 x 2	160
HFM T HL 40-16	L	42	M 52 x 2	160
HFM T HS 03-16	S	6	M 14 x 1.5	630
HFM T HS 04-16	S	8	M 16 x 1.5	630
HFM T HS 06-16	S	10	M 18 x 1.5	630
HFM T HS 08-16	S	12	M 20 x 1.5	630
HFM T HS 10-16	S	14	M 22 x 1.5	630
HFM T HS 13-16	S	16	M 24 x 1.5	400
HFM T HS 16-16	S	20	M 30 x 2	400
HFM T HS 20-16	S	25	M 36 x 2	400
HFM T HS 25-16	S	30	M 42 x 2	400
HFM T HS 32-16	S	38	M 52 x 2	315

Series: LL = Very light L = Light S = Heavy

## Spare parts

HFM VK Cap