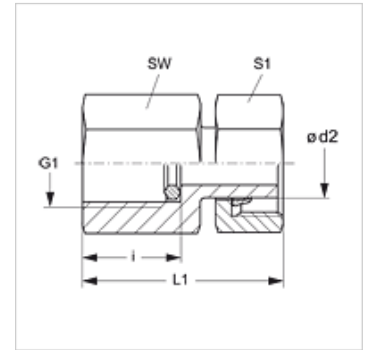
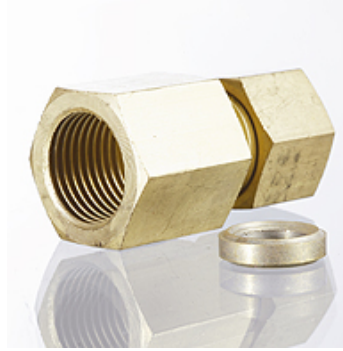


# MVE MG

## Pressure gauge connection fitting

### Properties

<b>Connection 1</b>	BSP cylindrical internal threads
<b>Sealing form 1</b>	Edge sealing ring
<b>Connection 2</b>	metric nut thread
<b>Sealing form 2</b>	Pipe socket with cutting ring
<b>Design</b>	Pressure gauge connection fitting
<b>Scope of supply</b>	with edge sealing ring
<b>Material</b>	Brass



### Note

Information about fitting, installation, pressure loads and permissible operating temperatures can be found in the technical information for pipe fittings.

### Item

Identification	Series	Ø d2 (mm)	Operating pressure	G1	i (mm)	L1 (mm)	AF (mm)	S1
<b>MVE NW 04 L MG</b>	L	6	PN 400	G 1/4" -19	14,5	38,0	19	14
<b>MVE NW 08 L MG</b>	L	10	PN 400	G 1/4" -19	14,5	39,5	19	19
<b>MVE NW 10 L MG</b>	L	12	PN 400	G 1/4" -19	14,5	40,5	19	22

Series: LL = Very light L = Light S = Heavy – PN = Nominal pressure PB = Max. operating pressure – Ø = External pipe diameter

### Product versions

<b>MVE</b>	Pressure gauge connection fitting, Steel
<b>MVE VA</b>	Pressure gauge connection fitting, Stainless steel

### Spare parts

<b>DKI</b>	Edge sealing ring for internal thread
------------	---------------------------------------