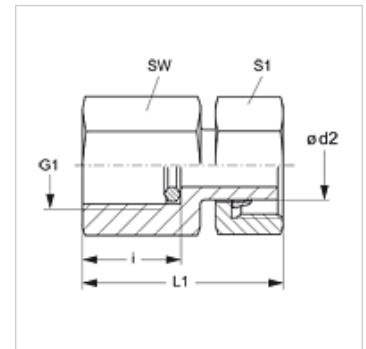


MVE VA

Pressure gauge connection fitting

Properties

Connection 1	BSP cylindrical internal threads
Sealing form 1	Edge sealing ring
Connection 2	metric nut thread
Sealing form 2	Pipe socket with cutting ring
Design	Pressure gauge connection fitting
Scope of supply	with edge sealing ring
Material	Stainless steel



Note

Information about fitting, installation, pressure loads and permissible operating temperatures can be found in the technical information for pipe fittings.

Item

Identification	Series	Ø d2 (mm)	Operating pressure	G1	i (mm)	L1 (mm)	AF (mm)	S1
MVE NW 04 L VA	L	6	PN 400	G 1/4" -19	14,5	38,0	19	14
MVE NW 04 L 1/2 VA	L	6	PN 315	G 1/2" -14	20,0	46,0	27	14
MVE NW 06 L VA	L	8	PN 400	G 1/4" -19	14,5	38,0	19	17
MVE NW 06 L 1/2 VA	L	8	PN 315	G 1/2" -14	20,0	46,0	27	17
MVE NW 08 L VA	L	10	PN 400	G 1/4" -19	14,5	39,5	19	19
MVE NW 08 L 1/2 VA	L	10	PN 315	G 1/2" -14	20,0	47,0	27	19
MVE NW 10 L VA	L	12	PN 400	G 1/4" -19	14,5	40,5	19	22
MVE NW 10 L 1/2 VA	L	12	PN 315	G 1/2" -14	20,0	48,0	27	22
MVE NW 03 S 1/4 VA	S	6	PN 630	G 1/4" -19	14,5	40,0	19	17
MVE NW 03 S VA	S	6	PN 630	G 1/2" -14	20,0	45,0	27	17
MVE NW 04 S 1/4 VA	S	8	PN 630	G 1/4" -19	14,5	40,0	19	19
MVE NW 04 S VA	S	8	PN 630	G 1/2" -14	20,0	45,0	27	19
MVE NW 06 S 1/4 VA	S	10	PN 630	G 1/4" -19	14,5	40,0	19	22
MVE NW 06 S VA	S	10	PN 630	G 1/2" -14	20,0	47,0	27	22
MVE NW 08 S 1/4 VA	S	12	PN 630	G 1/4" -19	14,5	40,0	19	24
MVE NW 08 S VA	S	12	PN 630	G 1/2" -14	20,0	47,5	27	24

Series: LL = Very light L = Light S = Heavy – Ø = External pipe diameter – PN = Nominal pressure PB = Max. operating pressure

Product versions

MVE	Pressure gauge connection fitting, Steel
MVE MG	Pressure gauge connection fitting, Brass
XMVE VA	Pressure gauge connection fitting, Stainless steel

Spare parts

DKI VA	Edge sealing ring for internal thread
--------	---------------------------------------