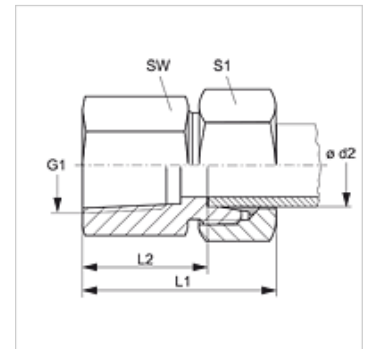


# MVN VA

## Pressure gauge connection fitting

### Properties

<b>Connection 1</b>	NPT internal thread
<b>Sealing form 1</b>	Edge sealing ring
<b>Connection 2</b>	metric cylindrical outer thread
<b>Sealing form 2</b>	24° inner cone
<b>Design</b>	Pressure gauge fitting
<b>Scope of supply</b>	with edge sealing ring
<b>Material</b>	Stainless steel



### Item

Identification	Series	Ø d2 (mm)	Operating pressure	G1	i (mm)	L1 (mm)	L2 (mm)	AF (mm)	S1
MVN NW 04 HL VA	L	6	PN 315	1/4" -18 NPT	16,4	38	23,5	19	14
MVN NW 04 HL 1/2 VA	L	6	PN 315	1/2" -14 NPT	22,6	46	31,0	27	14
MVN NW 06 HL VA	L	8	PN 315	1/4" -18 NPT	16,4	38	23,5	19	17
MVN NW 06 HL 1/2 VA	L	8	PN 315	1/2" -14 NPT	22,6	46	31,0	27	17
MVN NW 08 HL VA	L	10	PN 315	1/4" -18 NPT	16,4	39	24,0	19	19
MVN NW 08 HL 1/2 VA	L	10	PN 315	1/2" -14 NPT	22,6	47	32,0	27	19
MVN NW 10 HL VA	L	12	PN 315	1/4" -18 NPT	16,4	39	31,0	19	22
MVN NW 10 HL 1/2 VA	L	12	PN 315	1/2" -14 NPT	22,6	47	32,0	27	22
MVN NW 03 HS VA	S	6	PN 630	1/2" -14 NPT	22,6	48	33,0	27	17
MVN NW 04 HS VA	S	8	PN 630	1/2" -14 NPT	22,6	48	33,0	27	19
MVN NW 06 HS VA	S	10	PN 630	1/2" -14 NPT	22,6	49	32,5	27	22
MVN NW 08 HS VA	S	12	PN 630	1/2" -14 NPT	22,6	49	32,5	27	24

Series: LL = Very light L = Light S = Heavy - PN = Nominal pressure PB = Max. operating pressure - Ø = External pipe diameter

### Product versions

**XMVN VA** Pressure gauge connection fitting, Socket (without union nut and cutting ring)

### Spare parts

**DKI VA** Edge sealing ring for internal thread