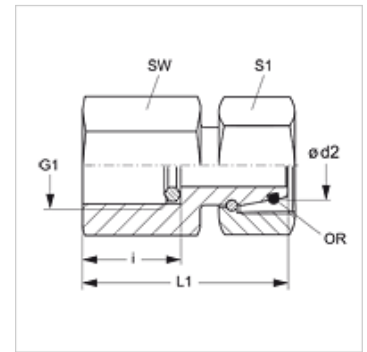


MVO VA

Pressure gauge connection fitting

Properties

Connection 1	BSP cylindrical internal threads
Sealing form 1	Edge sealing ring
Connection 2	metric nut thread
Sealing form 2	24° outer cone with O-ring
Design	Pressure gauge connection fitting
Scope of supply	with edge sealing ring
Material	Stainless steel



Note

Information about fitting, installation, pressure loads and permissible operating temperatures can be found in the technical information for pipe fittings.

Item

Identification	Series	Ø d2 (mm)	Operating pressure	G1	i (mm)	L1 (mm)	AF (mm)	S1	OR
MVO NW 04 L VA	L	6	PN 315	G 1/4" -19	14,5	36,5	19	14	4.0 x 1.5
MVO NW 06 L VA	L	8	PN 315	G 1/4" -19	14,5	36,5	19	19	6.0 x 1.5
MVO NW 08 L VA	L	10	PN 315	G 1/4" -19	14,5	36,0	19	19	7.5 x 1.5
MVO NW 10 L VA	L	12	PN 315	G 1/4" -19	14,5	37,5	19	22	9.0 x 1.5
MVO NW 03 S 1/4 VA	S	6	PN 630	G 1/4" -19	14,5	43,5	27	17	4.0 x 1.5
MVO NW 03 S VA	S	6	PN 630	G 1/2" -14	20,0	43,5	27	17	4.0 x 1.5
MVO NW 04 S 1/4 VA	S	8	PN 630	G 1/4" -19	14,5	43,0	27	19	6.0 x 1.5
MVO NW 04 S VA	S	8	PN 630	G 1/2" -14	20,0	43,0	27	19	6.0 x 1.5
MVO NW 06 S 1/4 VA	S	10	PN 630	G 1/4" -19	14,5	45,0	27	22	7.5 x 1.5
MVO NW 06 S VA	S	10	PN 630	G 1/2" -14	20,0	45,0	27	22	7.5 x 1.5
MVO NW 08 S 1/4 VA	S	12	PN 630	G 1/4" -19	14,5	44,5	27	24	9.0 x 1.5
MVO NW 08 S VA	S	12	PN 630	G 1/2" -14	20,0	44,5	27	24	9.0 x 1.5

Series: LL = Very light L = Light S = Heavy – PN = Nominal pressure PB = Max. operating pressure – Ø d2 = External pipe diameter

Product versions

MVO Pressure gauge connection fitting, Steel

Spare parts

DKI VA Edge sealing ring for internal thread