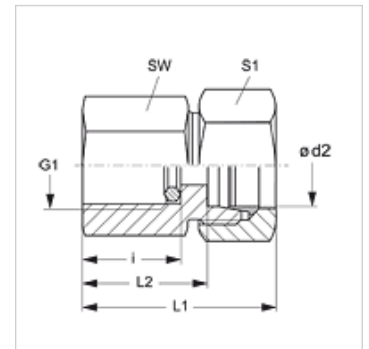


Properties

Connection 1	BSP cylindrical internal threads
Sealing form 1	Edge sealing ring
Connection 2	metric cylindrical outer thread
Sealing form 2	24° inner cone
Design	Pressure gauge connection fitting
Scope of supply	with edge sealing ring
Material	Steel
Surface	electro galvanised



Note

Information about fitting, installation, pressure loads and permissible operating temperatures can be found in the technical information for pipe fittings.

Item

Identification	Series	Ø d2 (mm)	Operating pressure	G1	i (mm)	L1 (mm)	L2 (mm)	AF (mm)	S1
MVR 04 LL	LL	4	PN 100	G 1/4" -19	14,5	33	23,0	19	10
MVR NW 04 HL	L	6	PN 315	G 1/4" -19	14,5	37	22,0	19	14
MVR NW 06 HL	L	8	PN 315	G 1/4" -19	14,5	37	22,0	19	17
MVR NW 08 HL	L	10	PN 315	G 1/4" -19	14,5	38	23,0	19	19
MVR NW 10 HL	L	12	PN 315	G 1/4" -19	14,5	38	23,0	19	22
MVR NW 03 HS	S	6	PN 630	G 1/2" -14	20,0	46	31,0	27	17
MVR NW 04 HS	S	8	PN 630	G 1/2" -14	20,0	46	31,0	27	19
MVR NW 06 HS	S	10	PN 630	G 1/2" -14	20,0	47	30,5	27	22
MVR NW 08 HS	S	12	PN 630	G 1/2" -14	20,0	47	30,5	27	24

Series: LL = Very light L = Light S = Heavy – PN = Nominal pressure PB = Max. operating pressure – Ø = External pipe diameter

Product versions

MVR MG	Pressure gauge connection fitting, Brass
MVR VA	Pressure gauge connection fitting, Stainless steel
XMVR	Pressure gauge connection fitting, Steel

Spare parts

DKI	Edge sealing ring for internal thread
------------	---------------------------------------