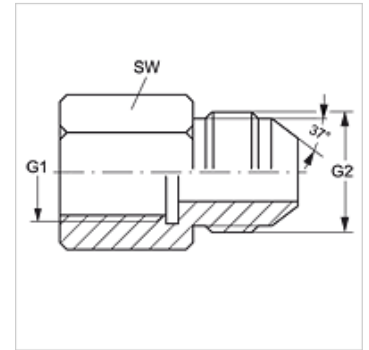


# MVR HJ

## Pressure gauge connection sockets

### Properties

<b>Connection 1</b>	BSP cylindrical internal threads
<b>Sealing form 1</b>	Edge sealing ring
<b>Connection 2</b>	UN/UNF external threads
<b>Sealing form 2</b>	74° outer cone
<b>Design</b>	Pressure gauge connection sockets
<b>Scope of supply</b>	with edge sealing ring
<b>Material</b>	Steel
<b>Surface</b>	electro galvanised



### Item

Identification	Max. working pressure (bar)	G1	G2	AF (mm)
MVR 04 HJ	350	G 1/4" -19	7/16"-20 UNF	17
MVR 04 HJ 05	350	G 1/4" -19	1/2"-20 UNF	27
MVR 04 HJ 06	350	G 1/4" -19	9/16"-18 UNF	17
MVR 04 HJ 08	400	G 1/4" -19	3/4"-16 UNF	19
MVR 08 HJ 04	315	G 1/2" -14	7/16"-20 UNF	27
MVR 08 HJ 05	315	G 1/2" -14	1/2"-20 UNF	27
MVR 08 HJ 06	315	G 1/2" -14	9/16"-18 UNF	27
MVR 08 HJ	315	G 1/2" -14	3/4"-16 UNF	27
MVR 08 HJ 10	200	G 1/2" -14	7/8"-14 UNF	29
MVR 08 HJ 12	200	G 1/2" -14	1.1/16" -12 UN	35

### Spare parts

DKI	Edge sealing ring for internal thread
-----	---------------------------------------