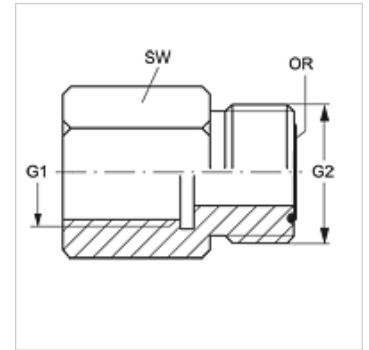


MVR HJOF

Pressure gauge connection sockets

Properties

Connection 1	BSP cylindrical internal threads
Sealing form 1	Sealed by copper ring
Connection 2	ORFS external threads
Sealing form 2	flat seal with O-ring
Design	Pressure gauge connection sockets
Scope of supply	with copper ring
Material	Steel
Surface	electro galvanised



Item

Identification	Max. working pressure (bar)	G1	G2	AF (mm)	OR
MVR 04 HJOF	400	G 1/4" -19	9/16"-18 UNF	17	7.65 x 1.78
MVR 04 HJOF 06	400	G 1/4" -19	11/16" -16 UN	19	9.25 x 1.78
MVR 04 HJOF 08	280	G 1/4" -19	13/16" -16 UN	22	12.42 x 1.78