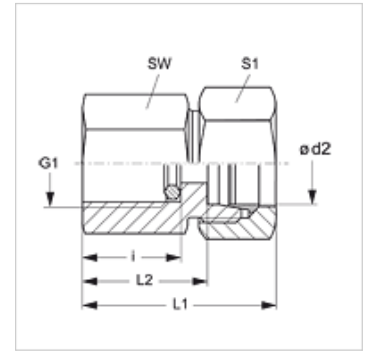
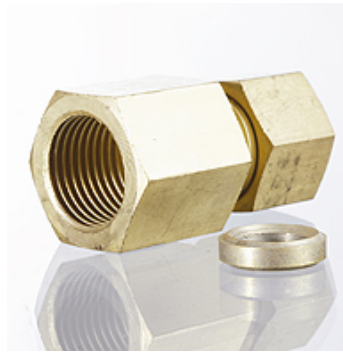


MVR MG

Pressure gauge connection fitting

Properties

Connection 1	BSP cylindrical internal threads
Sealing form 1	Edge sealing ring
Connection 2	metric cylindrical outer thread
Sealing form 2	24° inner cone
Design	Pressure gauge connection fitting
Scope of supply	with edge sealing ring
Material	Brass



Item

Identification	Series	Ø d2 (mm)	Operating pressure	G1	i (mm)	L1 (mm)	L2 (mm)	AF (mm)	S1
MVR NW 04 HL MG	L	6	PN 315	G 1/4" -19	14,5	37	22,0	19	14
MVR NW 06 HL MG	L	8	PN 315	G 1/4" -19	14,5	37	22,0	19	17
MVR NW 08 HL MG	L	10	PN 315	G 1/4" -19	14,5	38	23,0	19	19
MVR NW 10 HL MG	L	12	PN 315	G 1/4" -19	14,5	38	23,0	19	22
MVR NW 03 HS MG	S	6	PN 630	G 1/2" -14	20,0	46	31,0	27	17
MVR NW 04 HS MG	S	8	PN 630	G 1/2" -14	20,0	46	31,0	27	19
MVR NW 06 HS MG	S	10	PN 630	G 1/2" -14	20,0	47	30,5	27	22
MVR NW 08 HS MG	S	12	PN 630	G 1/2" -14	20,0	47	30,5	27	24

Series: LL = Very light L = Light S = Heavy - PN = Nominal pressure PB = Max. operating pressure - Ø = External pipe diameter

Product versions

MVR	Pressure gauge connection fitting, Steel
MVR VA	Pressure gauge connection fitting, Stainless steel

Spare parts

DKI	Edge sealing ring for internal thread
------------	---------------------------------------