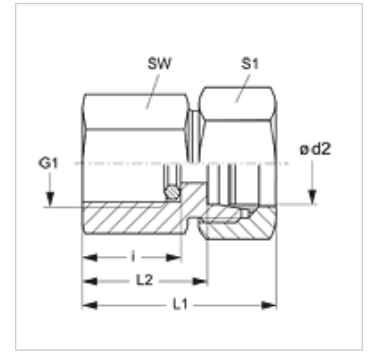


# MVR VA

## Pressure gauge connection fitting

### Properties

<b>Connection 1</b>	BSP cylindrical internal threads
<b>Sealing form 1</b>	Edge sealing ring
<b>Connection 2</b>	metric cylindrical outer thread
<b>Sealing form 2</b>	24° inner cone
<b>Design</b>	Pressure gauge connection fitting
<b>Scope of supply</b>	with edge sealing ring
<b>Material</b>	Stainless steel



### Item

Identification	Series	Ø d2 (mm)	Operating pressure	G1	i (mm)	L1 (mm)	L2 (mm)	AF (mm)	S1
MVR NW 04 HL VA	L	6	PN 315	G 1/4" -19	14,5	37	22,0	19	14
MVR NW 04 HL 1/2 VA	L	6	PN 315	G 1/2" -14	20,0	46	29,0	27	14
MVR NW 06 HL VA	L	8	PN 315	G 1/4" -19	14,5	37	22,0	19	17
MVR NW 06 HL 1/2 VA	L	8	PN 315	G 1/2" -14	20,0	46	29,0	27	17
MVR NW 08 HL VA	L	10	PN 315	G 1/4" -19	14,5	38	23,0	19	19
MVR NW 08 HL 1/2 VA	L	10	PN 315	G 1/2" -14	20,0	47	29,5	27	19
MVR NW 10 HL VA	L	12	PN 315	G 1/4" -19	14,5	38	23,0	19	22
MVR NW 10 HL 1/2 VA	L	12	PN 315	G 1/2" -14	20,0	48	30,0	27	22
MVR NW 03 HS VA	S	6	PN 630	G 1/2" -14	20,0	46	31,0	27	17
MVR NW 04 HS VA	S	8	PN 630	G 1/2" -14	20,0	46	31,0	27	19
MVR NW 06 HS VA	S	10	PN 630	G 1/2" -14	20,0	47	30,5	27	22
MVR NW 08 HS VA	S	12	PN 630	G 1/2" -14	20,0	47	30,5	27	24

Series: LL = Very light L = Light S = Heavy - PN = Nominal pressure PB = Max. operating pressure - Ø = External pipe diameter

### Product versions

<b>MVR</b>	Pressure gauge connection fitting, Steel
<b>MVR MG</b>	Pressure gauge connection fitting, Brass
<b>XMVR VA</b>	Pressure gauge connection fitting, Stainless steel

### Spare parts

<b>DKI VA</b>	Edge sealing ring for internal thread
---------------	---------------------------------------