

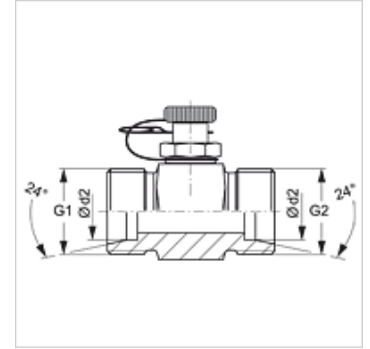
XHFM T HL S / XHFM T HS S

Measuring connection, plug-in series

HANSA FLEX

Properties

Connection 1 + 2	metric cylindrical outer thread
Sealing form 1 + 2	24° inner cone
Connection 3	Plug connection for measuring technology
Construction	T shaped
Standard	DIN 2353 ISO 8434-1
Scope of supply	Socket (without union nut and cutting ring)
Temp. min.	-20 °C
Temp. max.	100 °C
Material	Steel
Surface	electro galvanised



Note

Information about fitting, installation, pressure loads and permissible operating temperatures can be found in the technical information for pipe fittings.

Item

Identification	Series	Ø d2 (mm)	G1 + G2	Max. working pressure (bar)
XHFM T HL 04 S	L	6	M 12 x 1.5	315
XHFM T HL 06 S	L	8	M 14 x 1.5	315
XHFM T HL 08 S	L	10	M 16 x 1.5	315
XHFM T HL 10 S	L	12	M 18 x 1.5	315
XHFM T HL 13 S	L	15	M 22 x 1.5	315
XHFM T HL 16 S	L	18	M 26 x 1.5	315
XHFM T HL 20 S	L	22	M 30 x 2	160
XHFM T HS 03 S	S	6	M 14 x 1.5	400
XHFM T HS 04 S	S	8	M 16 x 1.5	400
XHFM T HS 06 S	S	10	M 18 x 1.5	400
XHFM T HS 08 S	S	12	M 20 x 1.5	400
XHFM T HS 10 S	S	14	M 22 x 1.5	400
XHFM T HS 13 S	S	16	M 24 x 1.5	400
XHFM T HS 16 S	S	20	M 30 x 2	400

Series: LL = Very light L = Light S = Heavy - Ø d2 = External pipe diameter

Product versions

HFM T HL S / HFM T HS S Measuring connection, plug-in series, with locking connector and retaining pin

Spare parts

HFM ST Locking connector for plug-in coupling DN 2