

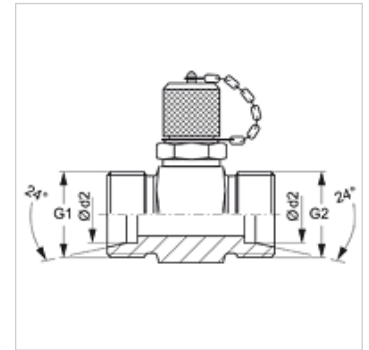
XHFM T HL VA / XHFM T HS VA

Measuring connection, M16 x 2 series

HANSA FLEX

Properties

Connection 1 + 2	metric cylindrical outer thread
Sealing form 1 + 2	24° inner cone
Connection 3	Measuring connection M 16 x 2
Construction	T shaped
Standard	DIN 2353 ISO 8434-1
Scope of supply	Socket (without union nut and cutting ring)
Temp. min.	-20 °C
Temp. max.	100 °C
Material	Stainless steel



Note

Information about fitting, installation, pressure loads and permissible operating temperatures can be found in the technical information for pipe fittings.

Item

Identification	Series	Ø d2 (mm)	G1 + G2	Max. working pressure (bar)
XHFM T HL 04 VA	L	6	M 12 x 1.5	315
XHFM T HL 06 VA	L	8	M 14 x 1.5	315
XHFM T HL 08 VA	L	10	M 16 x 1.5	315
XHFM T HL 10 VA	L	12	M 18 x 1.5	315
XHFM T HL 13 VA	L	15	M 22 x 1.5	315
XHFM T HL 16 VA	L	18	M 26 x 1.5	315
XHFM T HL 20 VA	L	22	M 30 x 2	160
XHFM T HL 25 VA	L	28	M 36 x 2	160
XHFM T HL 32 VA	L	35	M 45 x 2	160
XHFM T HL 40 VA	L	42	M 52 x 2	160
XHFM T HS 03 VA	S	6	M 14 x 1.5	630
XHFM T HS 04 VA	S	8	M 16 x 1.5	630
XHFM T HS 06 VA	S	10	M 18 x 1.5	630
XHFM T HS 08 VA	S	12	M 20 x 1.5	630
XHFM T HS 10 VA	S	14	M 22 x 1.5	630
XHFM T HS 13 VA	S	16	M 24 x 1.5	400
XHFM T HS 16 VA	S	20	M 30 x 2	400
XHFM T HS 20 VA	S	25	M 36 x 2	400
XHFM T HS 25 VA	S	30	M 42 x 2	400
XHFM T HS 32 VA	S	38	M 52 x 2	315

Series: LL = Very light L = Light S = Heavy – Ø d2 = External pipe diameter

Product versions

XHFM T HL / XHFM T HS	Measuring connection, M16 x 2 series, Steel
HFM T HL / HFM T HS	Measuring connection, M16 x 2 series, Steel