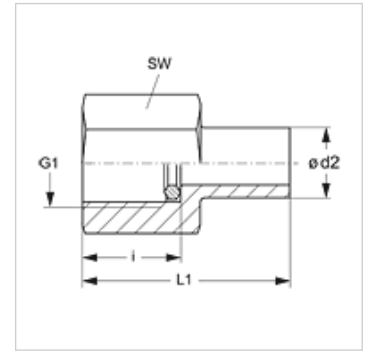
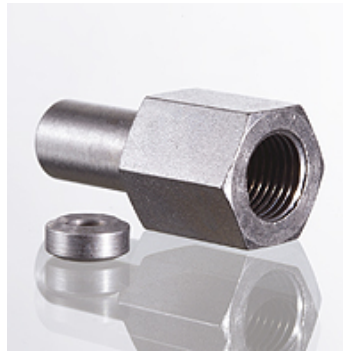


Properties

Connection 1	BSP cylindrical internal threads
Sealing form 1	Edge sealing ring
Connection 2	Pipe socket not pre-assembled
Sealing form 2	Pipe socket with cutting ring
Design	Pressure gauge connection fitting
Scope of supply	with edge sealing ring (socket without union nut and cutting ring)
Material	Steel
Surface	electro galvanised



Note

Information about fitting, installation, pressure loads and permissible operating temperatures can be found in the technical information for pipe fittings.

Item

Identification	Series	Ø d2 (mm)	Operating pressure	G1	i (mm)	L1 (mm)	AF (mm)
XMVE NW 04 L	L	6	PN 400	G 1/4" -19	14,5	38,0	19
XMVE NW 06 L	L	8	PN 400	G 1/4" -19	14,5	38,0	19
XMVE NW 08 L	L	10	PN 400	G 1/4" -19	14,5	39,5	19
XMVE NW 10 L	L	12	PN 400	G 1/4" -19	14,5	40,5	19
XMVE NW 03 S	S	6	PN 630	G 1/2" -14	20,0	45,0	27
XMVE NW 04 S	S	8	PN 630	G 1/2" -14	20,0	45,0	27
XMVE NW 06 S	S	10	PN 630	G 1/2" -14	20,0	47,0	27
XMVE NW 08 S	S	12	PN 630	G 1/2" -14	20,0	47,5	27

Series: LL = Very light L = Light S = Heavy – PN = Nominal pressure PB = Max. operating pressure – Ø = External pipe diameter

Product versions

XMVE VA	Pressure gauge connection fitting, Stainless steel
MVE	Pressure gauge connection fitting, Steel

Spare parts

DKI	Edge sealing ring for internal thread
-----	---------------------------------------