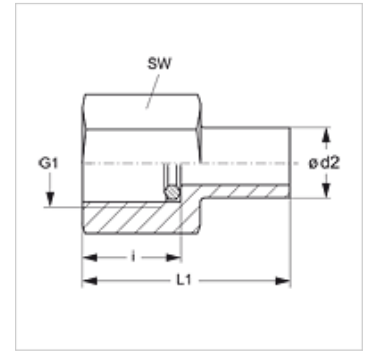
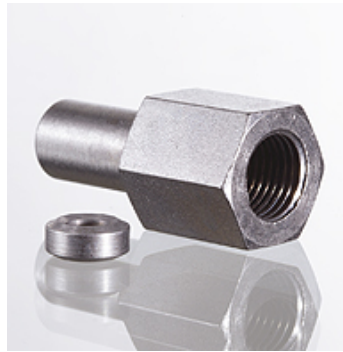


# XMVE VA

## Pressure gauge connection fitting

### Properties

<b>Connection 1</b>	BSP cylindrical internal threads
<b>Sealing form 1</b>	Edge sealing ring
<b>Connection 2</b>	Pipe socket not pre-assembled
<b>Sealing form 2</b>	Pipe socket with cutting ring
<b>Design</b>	Pressure gauge connection fitting
<b>Scope of supply</b>	with edge sealing ring (socket without union nut and cutting ring)
<b>Material</b>	Stainless steel



### Note

Information about fitting, installation, pressure loads and permissible operating temperatures can be found in the technical information for pipe fittings.

### Item

Identification	Series	Ø d2 (mm)	Operating pressure	G1	i (mm)	L1 (mm)	AF (mm)
XMVE NW 04 L VA	L	6	PN 400	G 1/4" -19	14,5	38,0	19
XMVE NW 04 L 1/2 VA	L	6	PN 315	G 1/2" -14	20,0	45,0	27
XMVE NW 06 L VA	L	8	PN 400	G 1/4" -19	14,5	38,0	19
XMVE NW 06 L 1/2 VA	L	8	PN 315	G 1/2" -14	20,0	45,0	27
XMVE NW 08 L VA	L	10	PN 400	G 1/4" -19	14,5	39,5	19
XMVE NW 08 L 1/2 VA	L	10	PN 315	G 1/2" -14	20,0	46,5	27
XMVE NW 10 L VA	L	12	PN 400	G 1/4" -19	14,5	40,5	19
XMVE NW 10 L 1/2 VA	L	12	PN 315	G 1/2" -14	20,0	47,5	27
XMVE NW 03 S 1/4 VA	S	6	PN 630	G 1/4" -19	14,5	38,0	19
XMVE NW 03 S VA	S	6	PN 630	G 1/2" -14	20,0	45,0	27
XMVE NW 04 S 1/4 VA	S	8	PN 630	G 1/4" -19	14,5	38,0	19
XMVE NW 04 S VA	S	8	PN 630	G 1/2" -14	20,0	45,0	27
XMVE NW 06 S 1/4 VA	S	10	PN 630	G 1/4" -19	14,5	40,0	19
XMVE NW 06 S VA	S	10	PN 630	G 1/2" -14	20,0	47,0	27
XMVE NW 08 S 1/4 VA	S	12	PN 630	G 1/4" -19	14,5	40,5	19
XMVE NW 08 S VA	S	12	PN 630	G 1/2" -14	20,0	47,5	27

Series: LL = Very light L = Light S = Heavy – PN = Nominal pressure PB = Max. operating pressure – Ø = External pipe diameter

### Product versions

XMVE	Pressure gauge connection fitting, Steel
MVE VA	Pressure gauge connection fitting, Stainless steel

### Spare parts

DKI VA	Edge sealing ring for internal thread
--------	---------------------------------------