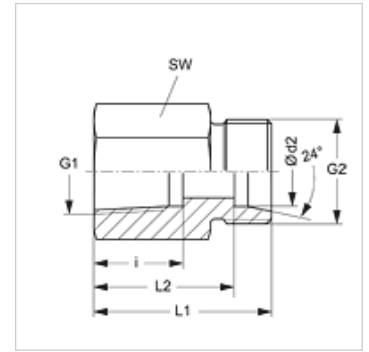


# XMVN VA

## Pressure gauge connection fitting

### Properties

<b>Connection 1</b>	NPT internal thread
<b>Sealing form 1</b>	Edge sealing ring
<b>Connection 2</b>	metric cylindrical outer thread
<b>Sealing form 2</b>	24° inner cone
<b>Design</b>	Pressure gauge connection fitting
<b>Scope of supply</b>	Socket (without union nut and cutting ring)
<b>Material</b>	Stainless steel



### Note

Information about fitting, installation, pressure loads and permissible operating temperatures can be found in the technical information for pipe fittings.

### Item

Identification	Series	Ø d2 (mm)	Operating pressure	G1	G2	i (mm)	L1 (mm)	L2 (mm)	AF (mm)
XMVN NW 04 HL VA	L	6	PN 315	1/4" -18 NPT	M 12 x 1.5	16,4	30,5	23,5	19
XMVN NW 04 HL 1/2 VA	L	6	PN 315	1/2" -14 NPT	M 12 x 1.5	22,5	38,0	31,0	27
XMVN NW 06 HL VA	L	8	PN 315	1/4" -18 NPT	M 14 x 1.5	16,4	30,5	23,5	19
XMVN NW 06 HL 1/2 VA	L	8	PN 315	1/2" -14 NPT	M 14 x 1.5	22,6	38,0	31,0	27
XMVN NW 08 HL VA	L	10	PN 315	1/4" -18 NPT	M 16 x 1.5	16,4	31,0	24,0	19
XMVN NW 08 HL 1/2 VA	L	10	PN 315	1/2" -14 NPT	M 16 x 1.5	22,6	39,0	32,0	27
XMVN NW 10 HL VA	L	12	PN 315	1/4" -18 NPT	M 18 x 1.5	16,4	31,0	24,0	19
XMVN NW 10 HL 1/2 VA	L	12	PN 315	1/2" -14 NPT	M 18 x 1.5	22,6	39,0	32,0	27
XMVN NW 03 HS VA	S	6	PN 630	1/2" -14 NPT	M 14 x 1.5	22,6	40,0	33,0	27
XMVN NW 04 HS VA	S	8	PN 630	1/2" -14 NPT	M 16 x 1.5	22,6	40,0	33,0	27
XMVN NW 06 HS VA	S	10	PN 630	1/2" -14 NPT	M 18 x 1.5	22,6	40,0	32,5	27
XMVN NW 08 HS VA	S	12	PN 630	1/2" -14 NPT	M 20 x 1.5	22,6	40,0	32,5	27

Series: LL = Very light L = Light S = Heavy – PN = Nominal pressure PB = Max. operating pressure – Ø = External pipe diameter

### Product versions

**MVN VA** Pressure gauge connection fitting, with edge sealing ring

### Spare parts

**DKI VA** Edge sealing ring for internal thread