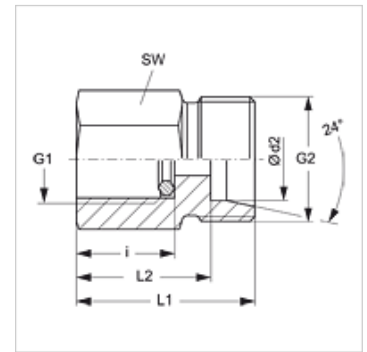


Properties

Connection 1	BSP cylindrical internal threads
Sealing form 1	Edge sealing ring
Connection 2	metric cylindrical outer thread
Sealing form 2	24° inner cone
Design	Pressure gauge connection fitting
Scope of supply	with edge sealing ring (socket without union nut and cutting ring)
Material	Steel
Surface	electro galvanised



Note

Information about fitting, installation, pressure loads and permissible operating temperatures can be found in the technical information for pipe fittings.

Item

Identification	Series	Ø d2 (mm)	Operating pressure	G1	G2	i (mm)	L1 (mm)	L2 (mm)	AF (mm)
XMVR 04 LL	LL	4	PN 100	G 1/4" -19	M 8 x 1	14,5	27	23,0	19
XMVR NW 04 HL	L	6	PN 315	G 1/4" -19	M 12 x 1.5	14,5	29	22,0	19
XMVR NW 06 HL	L	8	PN 315	G 1/4" -19	M 14 x 1.5	14,5	29	22,0	19
XMVR NW 08 HL	L	10	PN 315	G 1/4" -19	M 16 x 1.5	14,5	30	23,0	19
XMVR NW 10 HL	L	12	PN 315	G 1/4" -19	M 18 x 1.5	14,5	30	23,0	19
XMVR NW 03 HS	S	6	PN 630	G 1/2" -14	M 14 x 1.5	20,0	38	31,0	27
XMVR NW 04 HS	S	8	PN 630	G 1/2" -14	M 16 x 1.5	20,0	38	31,0	27
XMVR NW 06 HS	S	10	PN 630	G 1/2" -14	M 18 x 1.5	20,0	38	30,5	27
XMVR NW 08 HS	S	12	PN 630	G 1/2" -14	M 20 x 1.5	20,0	38	30,5	27

Series: LL = Very light L = Light S = Heavy - PN = Nominal pressure PB = Max. operating pressure - Ø = External pipe diameter

Product versions

XMVR VA	Pressure gauge connection fitting, Stainless steel
MVR	Pressure gauge connection fitting, Steel

Spare parts

DKI	Edge sealing ring for internal thread
-----	---------------------------------------