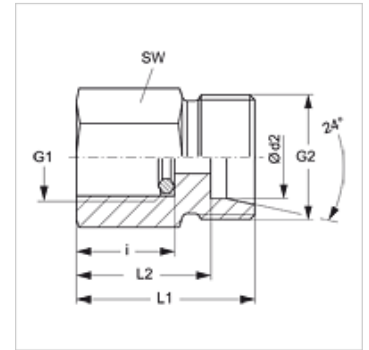


XMVR VA

Pressure gauge connection fitting

Properties

Connection 1	BSP cylindrical internal threads
Sealing form 1	Edge sealing ring
Connection 2	metric cylindrical outer thread
Sealing form 2	24° inner cone
Design	Pressure gauge connection fitting
Scope of supply	with edge sealing ring (socket without union nut and cutting ring)
Material	Stainless steel



Note

Information about fitting, installation, pressure loads and permissible operating temperatures can be found in the technical information for pipe fittings.

Item

Identification	Series	Ø d2 (mm)	Operating pressure	G1	G2	i (mm)	L1 (mm)	L2 (mm)	AF (mm)
XMVR NW 04 HL VA	L	6	PN 315	G 1/4" -19	M 12 x 1.5	14,5	29	22,0	19
XMVR NW 04 HL 1/2 VA	L	6	PN 315	G 1/2" -14	M 12 x 1.5	20,0	36	29,0	27
XMVR NW 06 HL VA	L	8	PN 315	G 1/4" -19	M 14 x 1.5	14,5	29	22,0	19
XMVR NW 06 HL 1/2 VA	L	8	PN 315	G 1/2" -14	M 14 x 1.5	20,0	36	29,0	27
XMVR NW 08 HL VA	L	10	PN 315	G 1/4" -19	M 16 x 1.5	14,5	30	23,0	19
XMVR NW 08 HL 1/2 VA	L	10	PN 315	G 1/2" -14	M 16 x 1.5	20,0	37	30,0	27
XMVR NW 10 HL VA	L	12	PN 315	G 1/4" -19	M 18 x 1.5	14,5	30	23,0	19
XMVR NW 10 HL 1/2 VA	L	12	PN 315	G 1/2" -14	M 18 x 1.5	20,0	37	30,0	27
XMVR NW 03 HS VA	S	6	PN 630	G 1/2" -14	M 14 x 1.5	20,0	38	31,0	27
XMVR NW 04 HS VA	S	8	PN 630	G 1/2" -14	M 16 x 1.5	20,0	38	31,0	27
XMVR NW 06 HS VA	S	10	PN 630	G 1/2" -14	M 18 x 1.5	20,0	38	30,5	27
XMVR NW 08 HS VA	S	12	PN 630	G 1/2" -14	M 20 x 1.5	20,0	38	30,5	27

Series: LL = Very light L = Light S = Heavy – PN = Nominal pressure PB = Max. operating pressure – Ø = External pipe diameter

Product versions

XMVR	Pressure gauge connection fitting, Steel
MVR VA	Pressure gauge connection fitting, Stainless steel