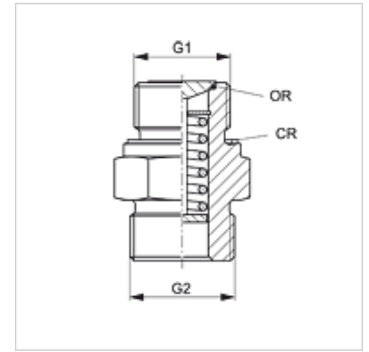


BOE R

Oil drain screw with valve

Properties

Connection 1	BSP external thread, cylindrical
Sealing form 1	Shape A
Connection 2	metric cylindrical outer thread
Design	Drain valve
Scope of supply	with copper ring and cap
Temp. min.	-30 °C
Temp. max.	200 °C



Note

Material for seal washer in protective cap: NBR.
Seal material on valve seat: FPM (Viton)

Description

The BOE oil drain screw is closed at rest (O-ring seal). When the oil drain hose is unscrewed, the valve is opened, allowing the oil to drain.

Item

Identification	G1	G2	Material
BOE R 1/4	G 1/4" -19	M 22 x 1.5	Steel
BOE R 3/8	G 3/8" -19	M 22 x 1.5	Steel
BOE R 1/2	G 1/2" -14	M 26 x 1.5	Steel
BOE R 5/8	G 5/8" -14	M 26 x 1.5	Steel
BOE R 3/4	G 3/4" -14	M 26 x 1.5	Steel / brass
BOE R 7/8	G 7/8" -14	M 26 x 1.5	Steel / brass
BOE R 1	G 1" -11	M 26 x 1.5	Brass
BOE R 1 1/4	G 1.1/4" -11	M 26 x 1.5	Brass
BOE R 1 1/2	G 1.1/2" -11	M 26 x 1.5	Brass

Accessories

BOE ABLASS	Oil drain hose
BOE ABLASS 90	Oil drain hose

Spare parts

BOE DICHTSCHEIBE	Sealing washer for BOE drain screw
BOE KAPPE	Cap for drain screws