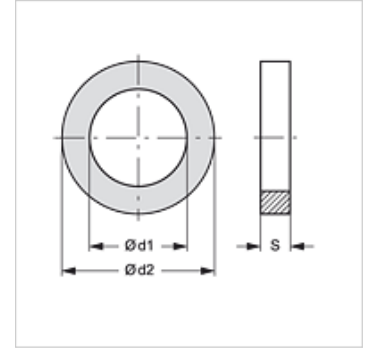


# FLD R N

Flat sealing ring for fire brigade couplings

## Properties

<b>Design</b>	Flat seal for fixed coupling with inner thread
<b>Material</b>	Nitrile rubber, black



## Item

Identification	for thread	$\varnothing d1$ (mm)	$\varnothing d2$ (mm)	S (mm)
FLD R 1/2 N	G 1/2"	17	22	2
FLD R 3/4 N	G 3/4"	18	27	2
FLD R 1 N	G 1"	20	33	3
FLD R 1 1/2 N	G 1.1/2"	39	48	3
FLD R 1 1/4 N	G 1.1/4"	33	42	3
FLD R 2 N	G 2"	47	60	3
FLD R 2 1/2 N	G 2 1/2"	66	76	3
FLD R 3 N	G 3"	76	88	3
FLD R 4 N	G 4"	102	113	3
FLD R 4 1/2 N	G 4 1/2"	105	126	3
FLD R 5 N	G 5"	122	140	4

## Product versions

FLD R N W	Flat sealing ring for fire brigade couplings, White nitrile
FLD R T	Flat sealing ring for fire brigade couplings, PTFE

## Spare part for following products

FK KG IR AL	Fixed coupling for fire brigade couplings
FK KG IR MG	Fixed coupling for fire brigade couplings