

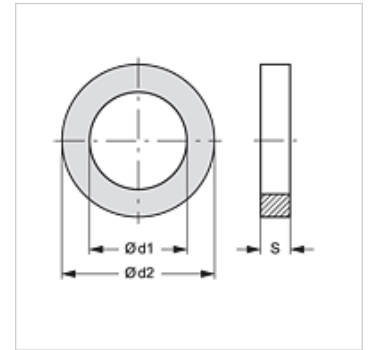
FLD R N W

Flat sealing ring for fire brigade couplings

Properties

Design Flat seal for fixed coupling with inner thread

Material White nitrile



Item

Identification	for thread	Ø d1 (mm)	Ø d2 (mm)	S (mm)
FLD R 1 N W	G 1"	20	33	3
FLD R 1 1/4 N W	G 1.1/4"	33	42	3
FLD R 1 1/2 N W	G 1.1/2"	39	48	3
FLD R 2 N W	G 2"	47	60	3
FLD R 2 1/2 N W	G 2 1/2"	66	76	3
FLD R 3 N W	G 3"	76	88	3
FLD R 4 N W	G 4"	102	113	3
FLD R 4 1/2 N W	G 4 1/2"	105	126	3
FLD R 5 N W	G 5"	122	140	4

Product versions

FLD R N

FLD R T

Spare part for following products

FK KG IR AL Fixed coupling for fire brigade couplings

FK KG IR MG Fixed coupling for fire brigade couplings