

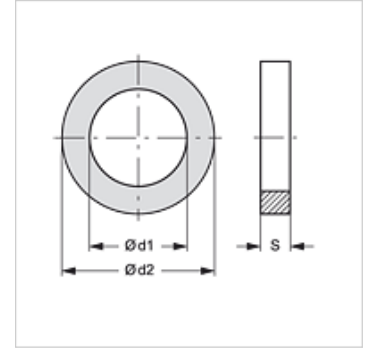
# FLD R T

Flat sealing ring for fire brigade couplings

## Properties

**Design** Flat seal for fixed coupling with inner thread

**Material** PTFE



## Item

Identification	for thread	$\varnothing d1$ (mm)	$\varnothing d2$ (mm)	S (mm)
FLD R 1 T	G 1"	20	33	2
FLD R 1 1/4 T	G 1.1/4"	33	42	2
FLD R 1 1/2 T	G 1.1/2"	39	48	2
FLD R 2 T	G 2"	47	60	2
FLD R 2 1/2 T	G 2 1/2"	66	76	2
FLD R 3 T	G 3"	76	88	2
FLD R 4 T	G 4"	102	113	2
FLD R 4 1/2 T	G 4 1/2"	105	126	2
FLD R 5 T	G 5"	122	140	2

## Product versions

FLD R N

FLD R N W

## Spare part for following products

FK KG IR AL Fixed coupling for fire brigade couplings

FK KG IR MG Fixed coupling for fire brigade couplings