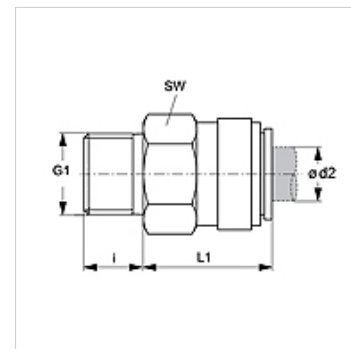


JG 01 (zyl.)

Screw-in connectors

Properties

Application	Pneumatic, vacuum and food applications
Connection 1	BSP external thread, cylindrical
Sealing form 1	encapsulated O-ring on screw-in socket
Connection 2	Plug in sleeve
Construction	straight
Design	Screw-in connectors
Colour	black
Media	Air fluid media inert gases, e.g., N ₂ /CO ₂
Material	Acetal copolymer body; nitrile O-ring



Item

Identification	Ø d2 (mm)	G1	i (mm)	L1 (mm)	AF (mm)
JG 01 04 11 E	4	G 1/8" -28	5,5	17	14
JG 01 04 12 E	4	G 1/4" -19	8,0	16	17
JG 01 05 11 E	5	G 1/8" -28	5,5	17	14
JG 01 05 12 E	5	G 1/4" -19	8,0	16	17
JG 01 06 11 E	6	G 1/8" -28	5,5	20	15
JG 01 06 12 E	6	G 1/4" -19	8,0	16	17
JG 01 08 11 E	8	G 1/8" -28	5,5	20	17
JG 01 08 12 E	8	G 1/4" -19	8,0	16	17
JG 01 08 13 E	8	G 3/8" -19	9,5	16	22
JG 01 10 12 E	10	G 1/4" -19	8,0	23	20
JG 01 10 13 E	10	G 3/8" -19	9,5	19	22
JG 01 10 14 E	10	G 1/2" -14	12,5	18	27
JG 01 12 13 E	12	G 3/8" -19	9,5	21	24
JG 01 12 14 E	12	G 1/2" -14	12,5	22	27
JG 01 15 14 E	15	G 1/2" -14	12,5	26	27
JG 01 18 14 E	18	G 1/2" -14	12,5	46	30
JG 01 22 16 E	22	G 3/4" -14	15,0	46	32

Accessories

JG 19 E	Cap for connectors
JG 18 S	Locking ring for connectors