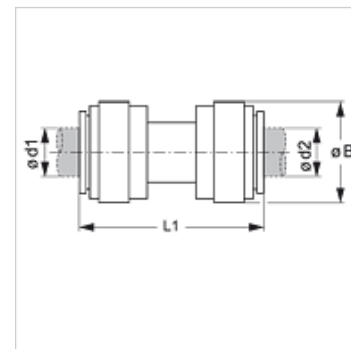


JG 04 / JG 20

Connector

Properties

Application	Pneumatic, vacuum and food applications
Connection 1 + 2	Plug in sleeve
Construction	straight
Design	Connector
Colour	black
Media	Air fluid media inert gases, e.g., N ₂ /CO ₂
Material	Acetal copolymer body; nitrile O-ring



Item

Identification	$\varnothing d1$ (mm)	$\varnothing d2$ (mm)	$\varnothing B$ (mm)	L1 (mm)
JG 04 04 E	4	4	14	32
JG 04 05 E	5	5	14	32
JG 20 06 04 E	6	4	15	35
JG 04 06 E	6	6	15	35
JG 20 08 04 E	8	4	18	42
JG 20 08 06 E	8	6	18	42
JG 04 08 E	8	8	18	42
JG 20 10 04 E	10	4	20	42
JG 20 10 06 E	10	6	20	42
JG 20 10 08 E	10	8	20	42
JG 04 10 E	10	10	20	42
JG 20 12 08 E	12	8	23	53
JG 20 12 10 E	12	10	24	54
JG 04 12 E	12	12	23	51
JG 04 15 E	15	15	28	62
JG 04 18 E	18	18	32	65
JG 04 22 E	22	22	36	71
JG 04 28 E	28	28	50	91

Accessories

JG 18 S	Locking ring for connectors
JG 19 E	Cap for connectors