

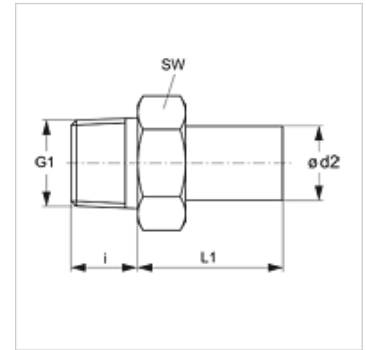
# JG 05 (keg.)

Screw-in sockets

**HANSA FLEX**

## Properties

<b>Application</b>	Pneumatic, vacuum and food applications
<b>Connection 1</b>	BSPT conical external threads
<b>Sealing form 1</b>	thread seal
<b>Connection 2</b>	Pipe sockets
<b>Construction</b>	straight
<b>Design</b>	Screw-in sockets
<b>Colour</b>	black
<b>Media</b>	Air fluid media inert gases, e.g., N <sub>2</sub> /CO <sub>2</sub>
<b>Material</b>	Acetal copolymer body; nitrile O-ring



## Item

Identification	Ø d2 (mm)	G1	i (mm)	L1 (mm)	AF (mm)
JG 05 04 01 E	4	R 1/8" K	10	19	15
JG 05 04 02 E	4	R 1/4" K	11	19	17
JG 05 05 01 E	5	R 1/8" K	10	19	15
JG 05 05 02 E	5	R 1/4" K	11	19	17
JG 05 06 01 E	6	R 1/8" K	10	20	17
JG 05 06 02 E	6	R 1/4" K	11	20	17
JG 05 08 01 E	8	R 1/8" K	10	21	17
JG 05 08 02 E	8	R 1/4" K	11	21	17
JG 05 08 03 E	8	R 3/8" K	13	21	20
JG 05 10 02 E	10	R 1/4" K	11	24	20
JG 05 10 03 E	10	R 3/8" K	13	24	20
JG 05 10 04 E	10	R 1/2" K	16	24	22
JG 05 12 03 E	12	R 3/8" K	13	29	24
JG 05 12 04 E	12	R 1/2" K	16	29	24