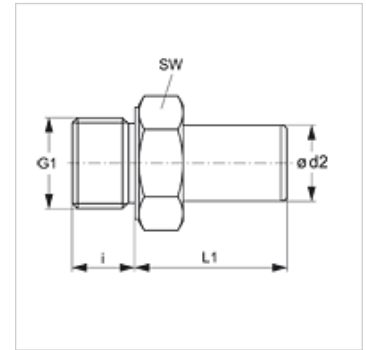


JG 05 N

Screw-in sockets

Properties

Application	Pneumatic, vacuum and food applications
Connection 1	BSP external thread, cylindrical
Sealing form 1	without thread seal
Connection 2	Pipe sockets
Construction	straight
Design	Screw-in sockets
Media	Air fluid media inert gases, e.g., N ₂ /CO ₂
Material	Brass



Item

Identification	Ø d2 (mm)	G1	i (mm)	L1 (mm)	AF (mm)
JG 05 28 18 N	28	G 1" -11	14	65	36