

JG 06 / JG 13

Reducing connecting socket

Properties

Application Pneumatic, vacuum and food applications

Connection 1 Plug in sleeve

Connection 2 Pipe sockets

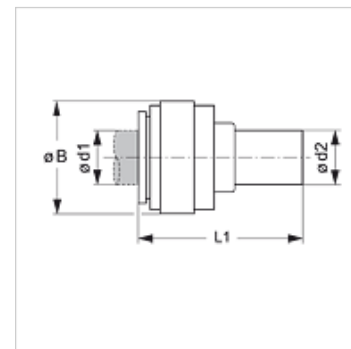
Construction straight

Design Reducing connecting socket

Colour black

Media Air
fluid media
inert gases, e.g., N₂/CO₂

Material Acetal copolymer body; nitrile O-ring



Item

Identification	Ø d1 (mm)	Ø d2 (mm)	Ø B (mm)	L1 (mm)
JG 06 05 04 E	4	5	13	35
JG 06 06 04 E	4	6	13	36
JG 06 08 04 E	4	8	13	37
JG 13 04 05 E	5	4	13	34
JG 06 06 05 E	5	6	13	36
JG 06 08 05 E	5	8	13	37
JG 06 08 06 E	6	8	15	37
JG 06 10 06 E	6	10	15	40
JG 06 10 08 E	8	10	18	40
JG 06 12 08 E	8	12	18	46
JG 06 12 10 E	10	12	20	50
JG 06 15 10 E	10	15	20	56
JG 06 15 12 E	12	15	23	61
JG 06 18 15 E	15	18	27	72
JG 06 22 15 E	15	22	32	72
JG 06 22 18 E	18	22	32	72
JG 06 28 22 E	22	28	36	82

Accessories

JG 18 S Locking ring for
connectors

JG 19 E Cap for connectors