

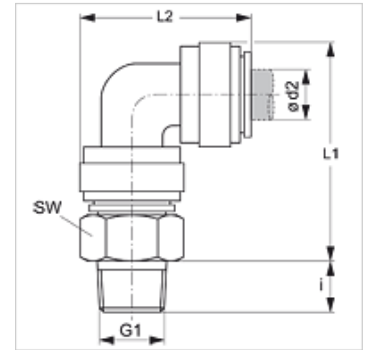
JG 09 (keg.)

Screw-in connector, angle 90°

HANSA FLEX

Properties

Application	Pneumatic, vacuum and food applications
Connection 1	BSPT conical external threads
Sealing form 1	thread seal
Connection 2	Plug in sleeve
Construction	Angle 90°
Design	Screw-in connectors
Colour	black
Media	Air fluid media inert gases, e.g., N ₂ /CO ₂
Material	Acetal copolymer body; nitrile O-ring



Item

Identification	Ø d2 (mm)	G1	i (mm)	L1 (mm)	L2 (mm)	AF (mm)
JG 09 04 01 E	4	R 1/8" K	10	29	24	15
JG 09 04 02 E	4	R 1/4" K	11	29	24	17
JG 09 05 01 E	5	R 1/8" K	10	29	24	15
JG 09 05 02 E	5	R 1/4" K	11	29	24	17
JG 09 06 01 E	6	R 1/8" K	10	32	27	17
JG 09 06 02 E	6	R 1/4" K	11	32	27	17
JG 09 08 01 E	8	R 1/8" K	10	35	30	17
JG 09 08 02 E	8	R 1/4" K	11	35	30	17
JG 09 08 03 E	8	R 3/8" K	13	35	30	20
JG 09 10 02 E	10	R 1/4" K	11	40	35	20
JG 09 10 03 E	10	R 3/8" K	13	40	35	20
JG 09 10 04 E	10	R 1/2" K	16	40	35	22
JG 09 12 03 E	12	R 3/8" K	13	49	44	24
JG 09 12 04 E	12	R 1/2" K	16	49	44	24

Accessories

JG 18 S	Locking ring for connectors
JG 19 E	Cap for connectors