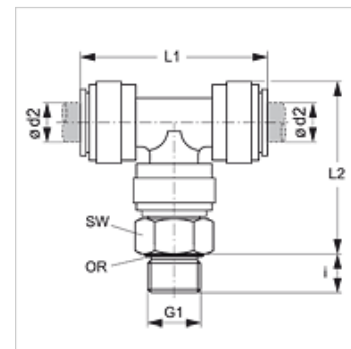


JG 10 (zyl.)

Screw-in connector, T shaped

Properties

Application	Pneumatic, vacuum and food applications
Connection 1	BSP external thread, cylindrical
Sealing form 1	encapsulated O-ring on screw-in socket
Connection 2 + 3	Plug in sleeve
Construction	T shaped
Design	Screw-in connectors
Colour	black
Media	Air fluid media inert gases, e.g., N ₂ /CO ₂
Material	Acetal copolymer body; nitrile O-ring



Item

Identification	Ø d2 (mm)	G1	i (mm)	L1 (mm)	L2 (mm)	AF (mm)
JG 10 04 11 E	4	G 1/8" -28	5,5	35	30	14
JG 10 04 12 E	4	G 1/4" -19	8,0	35	31	17
JG 10 05 11 E	5	G 1/8" -28	5,5	35	30	14
JG 10 05 12 E	5	G 1/4" -19	8,0	35	31	17
JG 10 06 11 E	6	G 1/8" -28	5,5	40	33	15
JG 10 06 12 E	6	G 1/4" -19	8,0	40	34	17
JG 10 08 11 E	8	G 1/8" -28	5,5	42	36	17
JG 10 08 12 E	8	G 1/4" -19	8,0	42	37	17
JG 10 08 13 E	8	G 3/8" -19	9,5	42	37	22
JG 10 10 12 E	10	G 1/4" -19	8,0	50	42	20
JG 10 10 13 E	10	G 3/8" -19	9,5	50	42	22
JG 10 10 14 E	10	G 1/2" -14	12,5	40	42	27
JG 10 12 13 E	12	G 3/8" -19	9,5	65	50	24
JG 10 12 14 E	12	G 1/2" -14	12,5	65	50	27

Accessories

JG 19 E	Cap for connectors
JG 08	Sealing plugs
JG 18 S	Locking ring for connectors