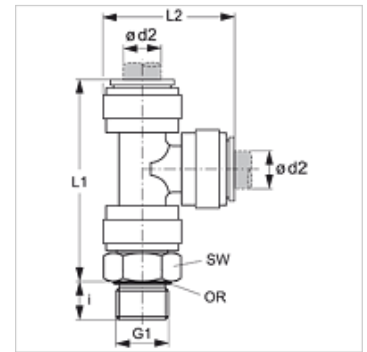


JG 11 (zyl.)

Screw-in connector, L shaped

Properties

Application	Pneumatic, vacuum and food applications
Connection 1	BSP external thread, cylindrical
Sealing form 1	encapsulated O-ring on screw-in socket
Connection 2 + 3	Plug in sleeve
Construction	L shaped
Design	Screw-in connectors
Colour	black
Media	Air fluid media inert gases, e.g., N ₂ /CO ₂
Material	Acetal copolymer body; nitrile O-ring



Item

Identification	Ø d2 (mm)	G1	i (mm)	L1 (mm)	L2 (mm)	AF (mm)
JG 11 04 11 E	4	G 1/8" -28	5,5	42	24	14
JG 11 04 12 E	4	G 1/4" -19	8,0	42	24	17
JG 11 05 11 E	5	G 1/8" -28	5,5	42	24	14
JG 11 05 12 E	5	G 1/4" -19	8,0	42	24	17
JG 11 06 11 E	6	G 1/8" -28	5,5	46	27	27
JG 11 06 12 E	6	G 1/4" -19	8,0	46	27	17
JG 11 08 11 E	8	G 1/8" -28	5,5	49	30	17
JG 11 08 12 E	8	G 1/4" -19	8,0	49	30	17
JG 11 08 13 E	8	G 3/8" -19	9,5	49	30	22
JG 11 10 12 E	10	G 1/4" -19	8,0	57	35	20
JG 11 10 13 E	10	G 3/8" -19	9,5	57	35	22
JG 11 10 14 E	10	G 1/2" -14	12,5	57	35	27
JG 11 12 13 E	12	G 3/8" -19	9,5	71	44	24
JG 11 12 14 E	12	G 1/2" -14	12,5	71	44	27

Accessories

JG 19 E	Cap for connectors
JG 18 S	Locking ring for connectors
JG 08	Sealing plugs