

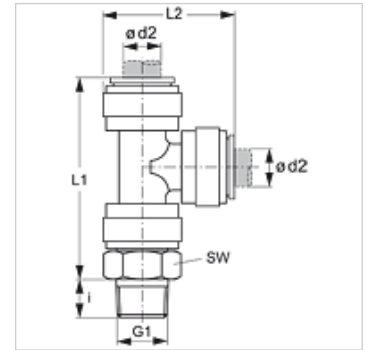
JG 11 (keg.)

Screw-in connector, L shaped

HANSA FLEX

Properties

| | |
|-------------------------|--|
| Application | Pneumatic, vacuum and food applications |
| Connection 1 | BSPT conical external threads |
| Sealing form 1 | thread seal |
| Connection 2 + 3 | Plug in sleeve |
| Construction | L shaped |
| Design | Screw-in connectors |
| Colour | black |
| Media | Air fluid media inert gases, e.g., N ₂ /CO ₂ |
| Material | Acetal copolymer body; nitrile O-ring |



Item

| Identification | Ø d2 (mm) | G1 | i (mm) | L1 (mm) | L2 (mm) | AF (mm) |
|----------------|-----------|----------|--------|---------|---------|---------|
| JG 11 04 01 E | 4 | R 1/8" K | 10 | 40 | 24 | 15 |
| JG 11 04 02 E | 4 | R 1/4" K | 11 | 40 | 24 | 17 |
| JG 11 05 01 E | 5 | R 1/8" K | 10 | 40 | 24 | 15 |
| JG 11 05 02 E | 5 | R 1/4" K | 11 | 40 | 24 | 17 |
| JG 11 06 01 E | 6 | R 1/8" K | 10 | 44 | 27 | 17 |
| JG 11 06 02 E | 6 | R 1/4" K | 11 | 44 | 27 | 17 |
| JG 11 08 01 E | 8 | R 1/8" K | 10 | 50 | 30 | 17 |
| JG 11 08 02 E | 8 | R 1/4" K | 11 | 50 | 30 | 17 |
| JG 11 08 03 E | 8 | R 3/8" K | 13 | 50 | 30 | 20 |
| JG 11 10 02 E | 10 | R 1/4" K | 11 | 55 | 35 | 20 |
| JG 11 10 03 E | 10 | R 3/8" K | 13 | 55 | 35 | 20 |
| JG 11 10 04 E | 10 | R 1/2" K | 16 | 55 | 35 | 22 |
| JG 11 12 03 E | 12 | R 3/8" K | 13 | 70 | 44 | 24 |
| JG 11 12 04 E | 12 | R 1/2" K | 16 | 70 | 44 | 24 |

Accessories

| | |
|---------|-----------------------------|
| JG 08 | Sealing plugs |
| JG 19 E | Cap for connectors |
| JG 18 S | Locking ring for connectors |