

JG 22

Connector, angle 90°

HANSA FLEX

Properties

Application Pneumatic, vacuum and food applications

Connection 1 Plug in sleeve

Connection 2 Pipe sockets

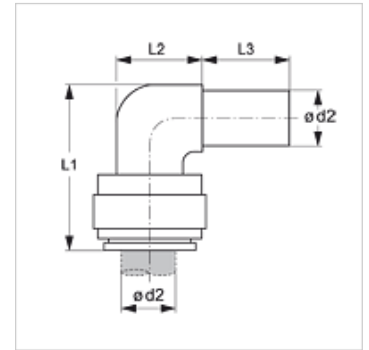
Construction Angle 90°

Design Plug in connector

Colour black

Media Air
fluid media
inert gases, e.g., N₂/CO₂

Material Acetal copolymer body; nitrile O-ring



Item

Identification	Ø d2 (mm)	L1 (mm)	L2 (mm)	L3 (mm)
JG 22 04 04 E	4	22	9	17
JG 22 05 05 E	5	22	9	17
JG 22 06 06 E	6	25	11	18
JG 22 08 08 E	8	27	13	19
JG 22 10 10 E	10	33	15	24
JG 22 12 12 E	12	39	18	28
JG 22 15 15 E	15	51	19	34
JG 22 18 18 E	18	53	25	32
JG 22 22 22 E	22	59	25	36

Accessories

JG 19 E Cap for connectors

JG 18 S Locking ring for connectors