

JG 25

Tube to hose connector

Properties

Application Pneumatic, vacuum and food applications

Connection 1 Hose connection

Connection 2 Pipe sockets

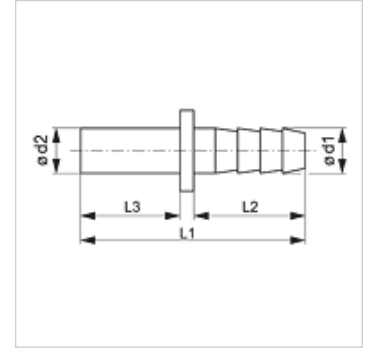
Construction straight

Design Tube to hose connector

Colour black

Media Air
fluid media
inert gases, e.g., N₂/CO₂

Material Acetal copolymer body; nitrile O-ring



Item

Identification	$\varnothing d1$ (mm)	$\varnothing d2$ (mm)	L1 (mm)	L2 (mm)	L3 (mm)
JG 25 06 04 E	6,1	6	42,0	20,8	18,0
JG 25 08 06 E	6,9	8	43,1	20,8	19,0
JG 25 10 08 E	10,0	10	50,0	24,8	22,2